



Kinkong

KINKONG

Motorcycle EFI Connector

www.kinkong-connector.com



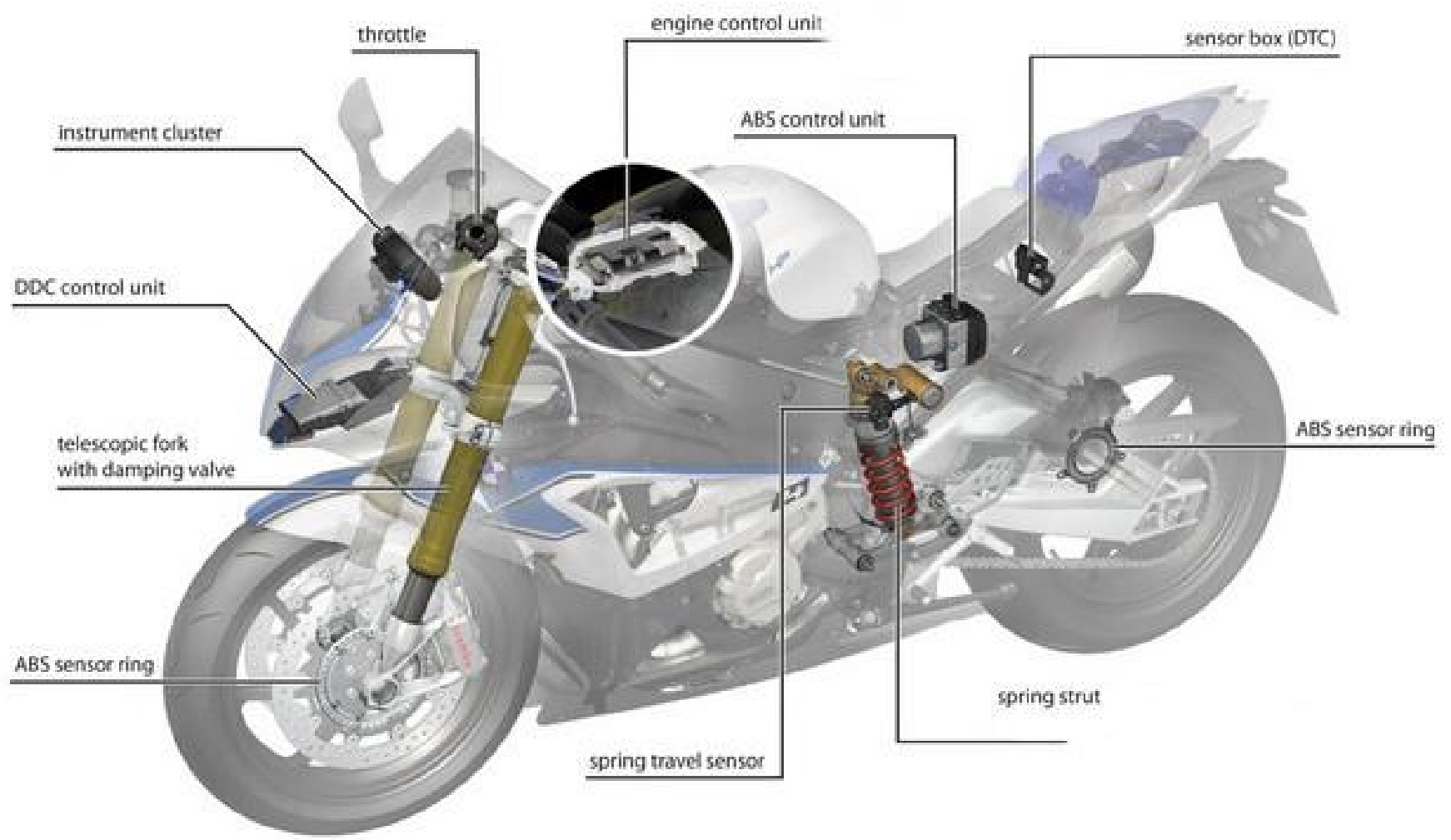


INTRODUCTION

<http://www.kinkong-connector.com/> <http://www.kinkong-connector.com/> <http://www.kinkong-connector.com/>



Application





Kinkong



Yamaha/Kawasaki/Suzuki

2007 Yamaha Ybr125YBR 125

Yamaha Raptor 700 YFM700

Suzuki GSX1300R Hayabusa (08-17)

Kawasaki ZX10 ZX6R GSX1300R

BMW S1000RR 09-14

.....

Specification

Product NO.: CKK7181A-1.0-21

OEM NO.: MX23A18SF1/MX23A18XF1

Series: JAE MX23A

Position: 18

Counterpart: [CKK7181A-1.0-11](#)

Typical Application:

Kawasaki/Honda/Yamaha/Suzuki/KTM

Kawasaki 2009-2016 ER-6n / EX650 / Ninja 650

2013-2017 EX300 / Ninja 300, 2013-2015

EX250/Ninja 250 and 2010-2016 Versys 650

2007 Yamaha Ybr125 /YBR 125

KTM 000700000BU



Specification

Product NO.: CKK7181A-1.0-11
OEM NO.: MX23A18NF1
Series: JAE MX23A
Position: 18
Counterpart: [CKK7181A-1.0-21](#)

Typical Application:
Kawasaki/Honda/Yamaha/Suzuki/B
MW
Ignition CDI box computer, ECU
ECM COMPUTER CONTROLLER
UNIT

KAWASAKI NINJA EX650E

Honda CBR1000RR CBR1000

11-13 Yamaha FZ-8
06-17 Yamaha R6
09-15 Yamaha V-Max
07-16 Yamaha R1
2017 Yamaha R1/R1M
06-14 Yamaha FZ 1
2014 Yamaha XT1200 (US)
2014 Yamaha FZ09/MT09
2015 Yamaha FJ09
2016 Yamaha XSR-900
YAMAHA YBR 125

BMW S1000RR 09-14
BMW K1300S 09-16
BMW R1200GS 10-12
BMW S1000RR
BMW / R1200GS / 2010

www.kinkong-connector.com



Specification

Product NO.: CKK7261A-1.0-21
OEM NO.: MX23A26SF1/MX23A26XF1
Series: JAE MX23A
Position: 26
Counterpart: [CKK7261A-1.0-11](#)

Typical Application: Kawasaki/Yamaha/Suzuki/BMW

Kawasaki 2009-2016 ER-6n / EX650 / Ninja 650
2013-2017 EX300 / Ninja 300, 2013-2015
EX250/Ninja 250 and 2010-2016 Versys 650, 2006-
2007 ZX10R and 2006-2011 ZX14 / ZZR1400
Kawasaki ZX6R

Yamaha YZF-R 125
2006-09 Yamaha FZ-185
2015-18 Yamaha FZ / MT 07

Suzuki GSXR
BMW K100RS



Specification

Product NO.: CKK7261A-1.0-11
OEM NO.: MX23A26NF1
Series: JAE MX23A
Position: 26
Counterpart: [CKK7261A-1.0-21](#)

Typical Application:

Kawasaki/Yamaha/BMW
Schnitz ECU Reflash
Kawasaki ZX10 ZX6R GSX1300R
GSX-S1000 GSXR750 GSXR600 GSXR1000
Hayabusa (02-07) KAWASAKI Ninja 1000

2006-09 Yamaha FZ-1
2015-18 Yamaha R1
Yamaha Raptor 700 YFM700

BMW S1000RR
BMW K1600
BMW R1200GS 10-12
BMW 7 (E65, E66, E67)



Specification

Product NO.: CKK7341A-1.0-21
OEM NO.: MX23A34SF1/MX23A34XF1
Series: JAE MX23A
Position: 26
Counterpart: [CKK7341A-1.0-11](#)

Typical Application: Kawasaki/Suzuki
RIVA MAPTUNERX ecu, TOS Sensor and O2 Sensor

Kawasaki ER-6n / EX650 / Ninja 650
2013 Brutale 1090RR SXR 1500

Suzuki GSX1300R Hayabusa (08-17)
Suzuki GSX1300R Hayabusa (08-18)
Suzuki GSX-S1000



Specification

Product NO.: CKK7341A-1.0-11

OEM NO.: MX23A34NF1

Series: JAE MX23A

Position: 34

Counterpart: [CKK7341A-1.0-21](#)

Typical Application: Kawasaki/Suzuki

Fuel Management Controller , Bazzaz ignition CDI
box computer

FUEL INJECTION COMPUTER ECU ECM
CONTROL UNIT

Kawasaki ZX10 ZX6R

GSX1300R GSX-S1000 GSXR750 GSXR600

GSXR1000 Hayabusa (02-07) , Honda

CBR1000RR CBR1000 CBR 1000 , KAWASAKI ZX-
14 2006-11 , KAWASAKI Ninja 1000 NINJA

EX650E,SUZUKI VZR1800 M109

Suzuki GSX1300R Hayabusa (08-17)

Suzuki GSXR1000 (2005-2006)

2005-2007 Suzuki King Quad 700 Copperhead

Suzuki GSXR, ZX10R, R6 & R1

www.kinkong-connector.com



Specification

Product NO.: CKK7341G-1.0-21
OEM NO.: MX23A34XF1
Series: JAE MX23A
Position: 34
Counterpart: [CKK7341G-1.0-11](#)

Typical Application: Kawasaki/Suzuki
TOS Sensor and O2 Sensor

Kawasaki 2007-2009
Z1000 and 2007-2012 Z750

Suzuki GSX1300R Hayabusa (08-17)
Suzuki GSX-S1000



Specification

Product NO.: CKK7341G-1.0-11
OEM NO.: MX23A34NF6
Series: JAE MX23A
Position: 34
Counterpart: [CKK7341G-1.0-21](#)

Typical Application: Kawasaki/Suzuki
FUEL INJECTION COMPUTER
ECU ECM CONTROL UNIT

KAWASAKI ZX-14 2006-11
SUZUKI VZR1800 M109

Suzuki GSX1300R Hayabusa (08-17)



Specification

Product NO.: CKK7362A-1.0-21, CKK7362A-1.0-11

OEM NO.: MX23A36XF1/MX23A36NF1

Series: JAE MX23A

Position: 36

Typical Application: Suzuki

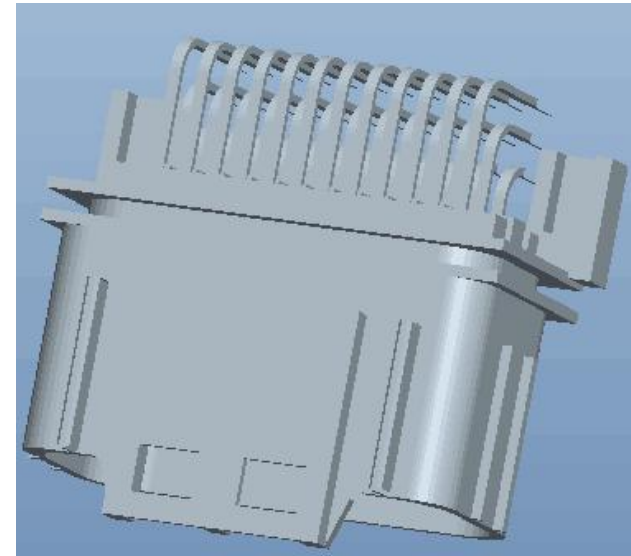
Suzuki motorcycle ECU's on GSXR 1000 K7 and up,
GSXR 600, 750 K8 and up
2008 GSX-R600



Specification

Product NO.: CKK7362G-1.0-21, CKK7362G-1.0-11
OEM NO.: MX23A36SF2/MX23A36XF1/MX23A36NF6
Series: JAE MX23A
Position: 36
Typical Application: Suzuki

Suzuki motorcycle ECU's on GSXR 1000 K7 and up, GSXR 600,
750 K8 and up
2008 GSX-R600



Specification

Product NO.: CKK7394A-1.0-21, CKK7394A-1.0-11
OEM NO.: MX47039SF1/MX47039XF1/MX47039NF1
Series: JAE MX47
Position: 39
Typical Application:



Specification

Product NO.: CKK7394G-1.0-21, CKK7394A-1.0-11
OEM NO.: MX47039SF2/MX47039XF1/MX47039NF2
Series: JAE MX47
Position: 39
Typical Application: Suzuki
Suzuki GSXR



Specification

Product NO.: CKK7401A-1.0-21, CKK7401A-1.0-11

OEM NO.: MX23A40SF1/MX23A40NF1

Series: JAE MX23A

Position: 40

Typical Application:



Specification

Product NO.: CKK7121A-1.0-21 ,CKK7394A-1.0-11

OEM NO.: MX23A12SF1/MX23A12XF1/MX23A12NF1

Series: JAE MX23A

Position: 12

Counterpart:

Typical Application:





Honda/Suzuki/Triumph/Harley

Honda 2007-2013 CBR600
Honda PCX 150
2012-2015 CBR Antilock brake unit
Suzuki GSXR 1000
KTM 350 EXC-F 17-19
2012 TRIUMPH
Triumph Daytona 955 1999-2001

.....



Specification

Product NO.:CKK726-1.6-21

OEM NO.: 3-1437290-7

Series: AMP superseal 1.0

Position: 26

Counterpart: CKK726A-1.6-11, CKK726SG-1.6-11

Typical Application: Honda/Suzuki/KTM/
Play Adaptor

Fuel/Ignition Controller

Honda Integra DC5

Honda S2000

Honda Civic EP3

Suzuki GSXR 1000

99-07 SUZUKI GEN 1 HAYABUSAS

KTM LC8 LC 8 950

SM 950SM



Specification

Product NO.:CKK726AO-1.6-11

OEM NO.: 9-6437287-8 / 9-1437287-8

Series: AMP superseal 1.0

Position: 26

Counterpart: [CKK726-1.6-21](#)

Typical Application: Honda/KTM
CDI Controller, Play Adaptor

Honda Integra DC5

Honda S2000

Honda Civic EP3

KTM LC8 LC 8 950

SM 950SM



Specification

Product NO.:CKK726SG-1.6-11

OEM NO.: 6437288-6/1437288-6

Series: AMP superseal 1.0

Position: 26

Counterpart: [CKK726-1.6-21](#)

Typical Application: Suzuki/KTM
TPS , MAP , MAF

Suzuki M Series

KTM LC8 LC 8 950
SM 950SM



Specification

Product NO.:CKK734-1.6-21

OEM NO.: 4-1437290-0

Series: AMP superseal 1.0

Position:34

Counterpart:

Typical Application:Kawasaki /Honda/Suzuki
Play Adaptor, Fuel/Ignition Controller

Kawasaki 1400 GTR / ZG 1400 / Concours 14

Honda Integra DC5

Honda S2000

Honda Civic EP3

Suzuki GSXR 1000

99-07 SUZUKI GEN 1 HAYABUSAS

Suzuki GSXR, ZX10R, R6 & R1 Hayabusa,

GSXR600, GSXR750, GSXR1000



Specification

Product NO.:CKK734AO-1.6-11

OEM NO.:6437288-1

Series: AMP superseal 1.0

Position: 34

Counterpart: [CKK734-1.6-21](#)

Typical Application: Honda/Suzuki/Ducati
DTC Traction Control Module Controller Box,
ECU FUEL INJECTION COMPUTER CDI ECM ,
Play Adaptor

Honda Integra DC5

Honda S2000

Honda Civic EP3

Suzuki GSXR, ZX10R, R6 & R1 ECU plug. Fits
some Hayabusa, GSXR600, GSXR750, GSXR1000

Ducati Monster 1200S 1200,

MV Augusta



Specification

Product NO.: CKK734SG-1.6-11

OEM NO.:2-6447232-3

Series: AMP superseal 1.0

Position: 34

Counterpart: [CKK734-1.6-21](#)

Typical Application:



Specification

Product NO.: CKK734B-1.6-21

OEM NO.: 4-1437290-1

Series: AMP superseal 1.0

Position: 34

Counterpart: CKK734BAO-1.6-11, CKK734BSG-1.6-11

Typical Application:Kawasaki/Ducati

Kawasaki 1400 GTR / ZG 1400 / Concours

14,Ducati Panigale 1299 / 1299S

1199 Panigale R 1199 / 1199S Panigale 1199

Superleggera 899 Panigale 959 Panigale

Diavel, Mitsubishi



Specification

Product NO.: CKK726K-1.6-21, CKK726K-1.6-11
OEM NO.: 1473712-1 , 6473711-1 / 1473711-1
Series: AMP superseal 1.0
Position: 26
Typical Application:
ECU



Specification

Product NO.: CKK744-1.6-21
OEM NO.: 1376886-1
Series: AMP superseal 1.0
Position: 44
Typical Application: Suzuki

Suzuki SV650 ECU connector



Specification

Product NO.:CKK760A-1.6-11

OEM NO.: 1437288-3/6437288-3/4-143790-0/3-1437290-7

Series: AMP superseal 1.0

Position: 26

Counterpart: CKK726-1.6-21, CKK734-1.6-21

Typical Application:
Suzuki/Triumph
Ecm CDI ECU

Suzuki AN 650 Burgman
2002-2004 (AN650)

99-10 Triumph



Specification

Product NO.:CKK760CBA-1.6-11

OEM NO.: 1473427-1

Series: AMP superseal 1.0

Position: 60

Counterpart: CKK734B-1.6-21, CKK726C-1.6-21

Typical Application: Yamaha/Suzuki

Suzuki/GSXR1300 Hayabusa ECU (99'-07')



Specification

Product NO.: CKK733S-0.7-21

OEM NO.: 6189-7106

Series: Sumitomo

Position: 33

Counterpart: CKK733S-0.7-11, CKK733C-0.7-11,
CKK733SZ-0.7-11,

Typical Application: Kawasaki / Honda

Application Site: bike flash ecu, PCM-ECM-ECU fuel
injected models

Kawasaki 2014-2018 Z1000, 2017-2018 Z900 and 2014-
2018 Z1000SX / Ninja 1000

Honda 2011-2013 CBR250, 2007-2013 CBR600, 2006-
2011 CBR1000, Some Late model CRF250, 2009-2014
CRF450, 2010-2013 VT750, 2010-2013 VT1300, 2013-
2015 ZX6R, 2012-2015 Z800 A/B, 2012-2015 Z800 C/D,
2010-2015 Z1000, 2011-2015 Z1000SX/Ninja 1000, 2006-
2007 CBR1000 SC57 HRC KIT, Honda's later fuel injected
models from mid 2000's to Present.

Including some of the CBR250, CBR600, CBR1000,
CBR1100 and late model CRF250, CRF450, VT750 and
VT1300



Specification

Product NO.: CKK733S-0.7-11

OEM NO.: 6188-4871

Series: Sumitomo

Position: 33

Counterpart: CKK733S-0.7-21

Typical Application: Kawasaki / Honda

Application Site: ECU ECM Computer Brainbox

Module 21175-0310, FUEL INJECTION

COMPUTER ECU ECM , ignition ignitor CDI box

ECU computer, CDI TCI ECU

ABS ECU

Kawasaki ZX636

ZX6R Ninja '13

Honda NSF250R,2011 Honda CBR250R 250 CBR ,

Honda VT 1300 VT1300 CS Sabre, Honda-VFR800-

38770-MCW-H01

Honda XL700V PGM FI



Specification

Product NO.:CKK733C-0.7-11, CKK733SZ-0.7-11

OEM NO.: 6188-0800

Series: Sumitomo

Position: 33

Counterpart: CKK733S-0.7-21

Typical Application: Yamaha/KTM

GET RX1-Pro ECU Suzuki RMZ250 2018

KTM 350 EXC-F 17-19



Specification

Product NO.:CKK733L-0.7-11

OEM NO.:

Series:

Position: 33

Counterpart: CKK733S-0.7-21

Typical Application:

ECU Box with 33P pin header



Specification

Product NO.:CKK733BL-0.7-21, CKK733BL-0.7-

OEM NO.:

Series:

Position: 33

Typical Application: Honda/Keihin ECU



Product NO.:CKK733A-0.7-21

OEM NO.: 6189-1264

Series: Sumitomo

Position: 33

Counterpart: CKK733A-0.7-11

Typical Application: Honda PCM-ECM-ECU
fuel injected models

2007-2013 CBR600

2006-2011 CBR1000

2010-2013 VT750

2010-2013 VT1300

2013-2015 ZX6R

2012-2015 Z800 A/B

2012-2015 Z800 C/D

2010-2015 Z1000

2011-2015 Z1000SX/Ninja 1000

2006-2007 CBR1000 SC57 HRC KIT

Honda's later fuel injected models from mid 2000's to Present.

Including some of the CBR250, CBR600, CBR1000, CBR1100 and late
model CRF250, CRF450, VT750 and VT1300

www.kinkong-connector.com



Specification

Product NO.:CKK733A-0.7-11

OEM NO.:

Series:

Position: 33

Counterpart: CKK733A-0.7-21

Typical Application: Honda/Kawasaki

ECU ECM Computer Brainbox Module 21175-0310 ,
ignition ignitor CDI box ECU computer, CDI TCI

ECU

ABS ECU

Honda VT 1300 VT1300

CS Sabre, Honda-VFR800-38770-MCW-H01

Honda XL700V PGM FI

Kawasaki ZX636

ZX6R Ninja '13



Specification

Product NO.:CKK733BR-0.7-21, CKK733BR-0.7-

OEM NO.:

Series:

Position: 33

Typical Application: Honda/Keihin



Specification

Product NO.:CKK733T-0.7-21, CKK733T-0.7-11

OEM NO.:

Series:

Position: 33

Typical Application:



Specification

Product NO.: CKK7183W-1.0-21, CKK7183W-1.0-11

OEM NO.:2203663-6

Series: Get.64 Connector System

Position: 18

Typical Application: 2016 Harley touring FLHXS



Specification

Product NO.: CKK7183B-1.0-21, CKK7183B-1.0-11

OEM NO.:2203663-5

Series: Get.64 Connector System

Position: 18

Typical Application:2016 Harley touring FLHXS



Specification

Product NO.:CKK7182Y-1.8-21 , CKK7182Y-1.8-11

OEM NO.: 344106-1

Series: Motec

Position: 18

Typical Application: Suzuki/Triumph
CDI unit
M&W CDI Ignition units

M IGN EX and M TC MUX

SUZUKI VITARA (LY) 1.6 DDIS (APK 416D) 120 HP



Specification

Product NO.:CKK7362Y-1.8-21, CKK7362Y-1.8-11

OEM NO.: 344111-1

Series: Motec

Position: 36

Typical Application:

M&W CDI Ignition units

Motec M4, M48, M8 ECU's

OMEX ECU's

kawasaki Parti moteur KXF 450cc 2009-2017



Specification

Product NO.:CKK721S-0.7-21, CKK721S-0.7-11

OEM NO.: 6189-7108, 6188-0790

Series: Sumitomo

Position: 21

Typical Application: Honda
PCM-ECM-ECU

Honda PCX 150 , 2012-2015 CBR Antilock brake
unit

2013-2015 ZX6R

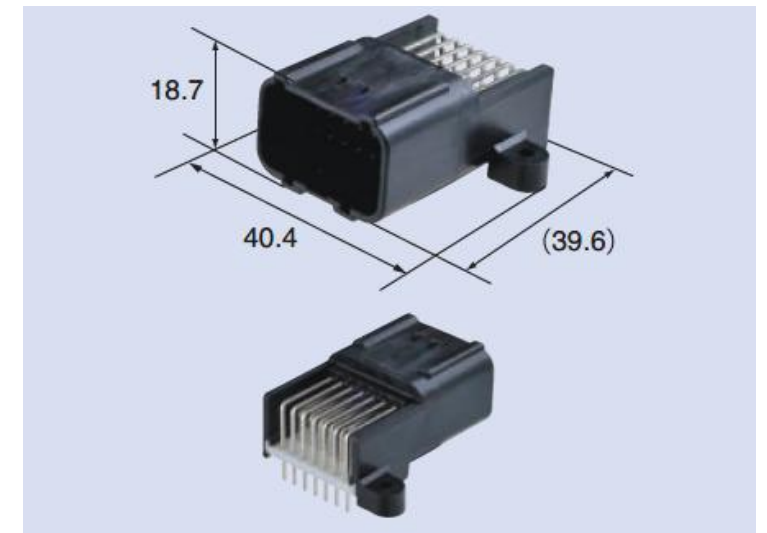
2012-2015 Z800 A/B

2012-2015 Z800 C/D

2010-2015 Z1000

2011-2015 Z1000SX/Ninja 1000

2006-2007 CBR1000 SC57 HRC KIT



Specification

Product NO.: CKK7361J-0.7-21/11

OEM NO.: 36ZRO-B-1A/S36B-ZROK-2A-R

Series: ZRO connector

Position: 36

Typical Application: Suzuki/Triumph Harley
Schnitz ECU Reflash ECU ECM

Suzuki GSXR1000

2014 TRIUMPH



Specification

Product NO.: CKK7481J-0.7-21/11

OEM NO.: 48ZRO-B-2A/S48B-ZROK-2A-R

Series: ZRO connector

Position: 48

Typical Application: Suzuki/Triumph Harley
Schnitz ECU Reflash ECU ECM

Suzuki GSXR1000

2014 TRIUMPH



Specification

Product NO.:CKK7421S-0.7-11

OEM NO.:

Series:

Position: 42

Typical Application: Honda/Yamaha
PCM-ECM-ECU

Honda PCX 150

Yamaha MT-09 FZ-09 YZF-R6



Specification

Product NO.: CKK7242-1.8-21

OEM NO.:

Series:

Position:24

Typical Application:Ducati

Ducati Monster 1200S 1200



Specification

Product NO.:CKK736-0.6-21

OEM NO.:

Series:

Position:36

Typical Application:Kawasaki/Triumph Harley
ECU ECM CDI

2011 kawasaki

KXF250 KX 250F 11 KX450F 09,
2011 2012 TRIUMPH



Specification

Product NO.:CKK112P-K

OEM NO.:

Series:

Position: 112

Typical Application:KTM/Ducati

Swift Sport ZC32S

KTM DUKE 125 2014 ECU

Ducati 800ss ignition and ecu.

Ducati multistrada 1200 s 2015 (mts1200 1200s)
ignition, ROM ECU reflash

Ducati Multistrada

1200 S 2015 (mts1200 1200s)

Ducati 800ss ignition and ecu. Ducati multistrada
1200 s 2015 (mts1200 1200s) ignition



Specification

Product NO.:CKK739-0.6-21

OEM NO.:6189-7929

Series:

Position: 39

Typical Application:Yamaha

Yamaha Grand Filano Hybrid ABS



Specification

Product NO.: CKK732BD-1.0-2.2-21/CKK732B-1.0-2.2-11

OEM NO.: /64334-0100

Series: FCI

Position:32

Typical Application:Triumph Harley

ECU unit (CDI Ignition)

Triumph Daytona 955 1999-2001

www.kinkong-connector.com



Specification

Product NO.: CKK748MAD-1.0-2.2-21, CKK7481D-1.0-2.2-11, CKK748MA-1.0-2.2-11

OEM NO.: /64334-0100

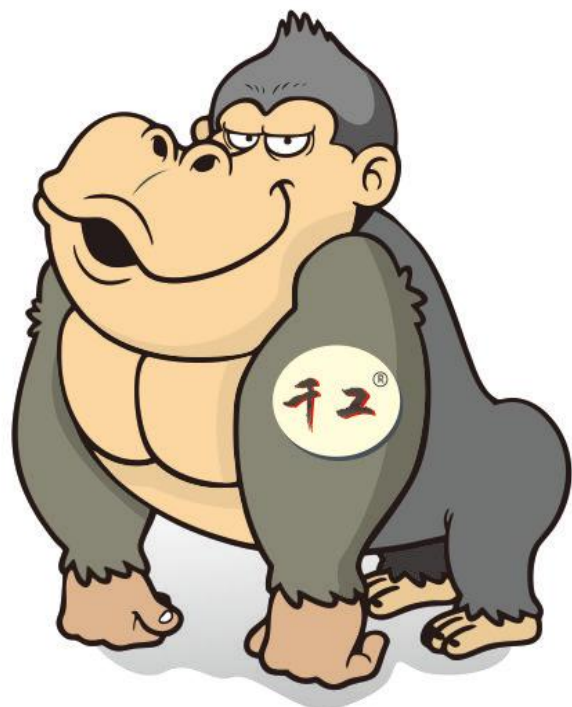
Series: Molex CMC

Position:48

Typical Application:

2012 Ducati Monster 1100 motorcycle





THANKS

Wenzhou Kinkong Auto Parts Co., Ltd.

Add : #27 Hengjing Xiyi Road, Liushi Town, Yueqing City,
Zhejiang Province, 325604, China

Tel : 86-577-62186369

Email: info@kinkong.com

Website : <http://www.kinkong-connector.com>

<http://www.kinkongseal.com>